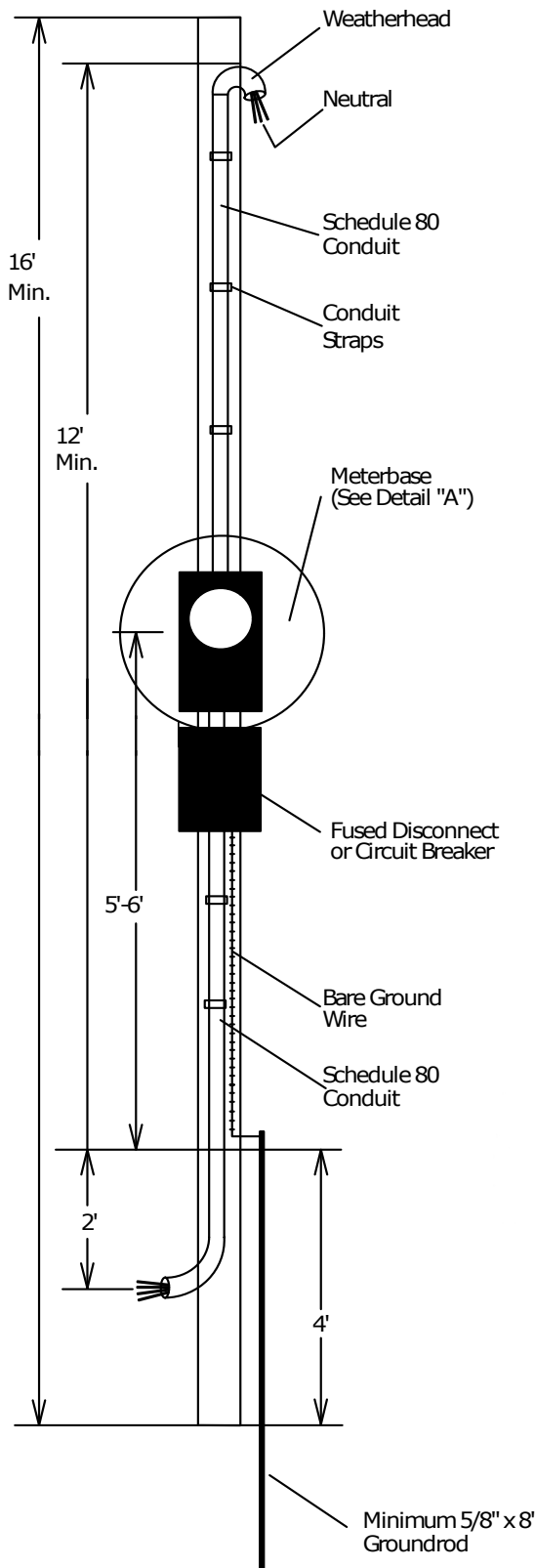
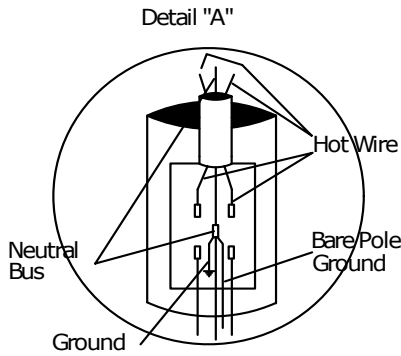


Overhead Mobile Home Service Pole



1. Poles MUST be treated 6" x 6" square or 6" round diameter top to bottom.
2. All Hardware must be rigidly attached to pole.
3. All boxes and fittings must be weatherproof.
4. Copper wire is required.
5. Thin-walled conduit WILL NOT be accepted on any part of the installation.
6. Conduit must be rigid metal or Schedule 80 gray electrical grade, PVC conduit.
7. Wire tails must be at least 18" long & weatherhead and pole must be 12' from ground. Neutral must be clearly marked.
8. 2/0 insulated copper is required for 200 amps and #2 insulated copper for 100 amp installations.
9. A fused disconnect or circuit breaker is required just beyond the meter.
10. Pole ground must be a minimum of #6 bare solid copper.
11. If direct burial cable is used, conduit MUST be used on the riser on both ends, and the conductor must be a minimum of 24" deep.
12. Ground rod must be a minimum of 5/8" x 8' and have the ground wire attached with a groundwire clamp.
13. All bends must be 90 degree "sweep" elbows or LBs wherever possible.
14. 4th wire or ground wire must be run from the meterbase to the inside panel, from the inside panel to the case and "chassis" of mobile home. The ground wire must be a minimum of #6 copper for 100 amps and a #4 minimum for a 200 amp installation. All of these shall be insulated and green in color.



340 Hopson St. ~ 3970 White Oak Rd.
 P.O. Box 188
 Lyon, MS 38645 Tunica, MS 38676
 (662)624-8321 (662)363-2931

Drawn	DVB	Date	5/20/2015	Residential Mobile Home Metering Detail
Checked	FS	Scale	Not to Scale	Overhead Service Pole
Approved	FS			