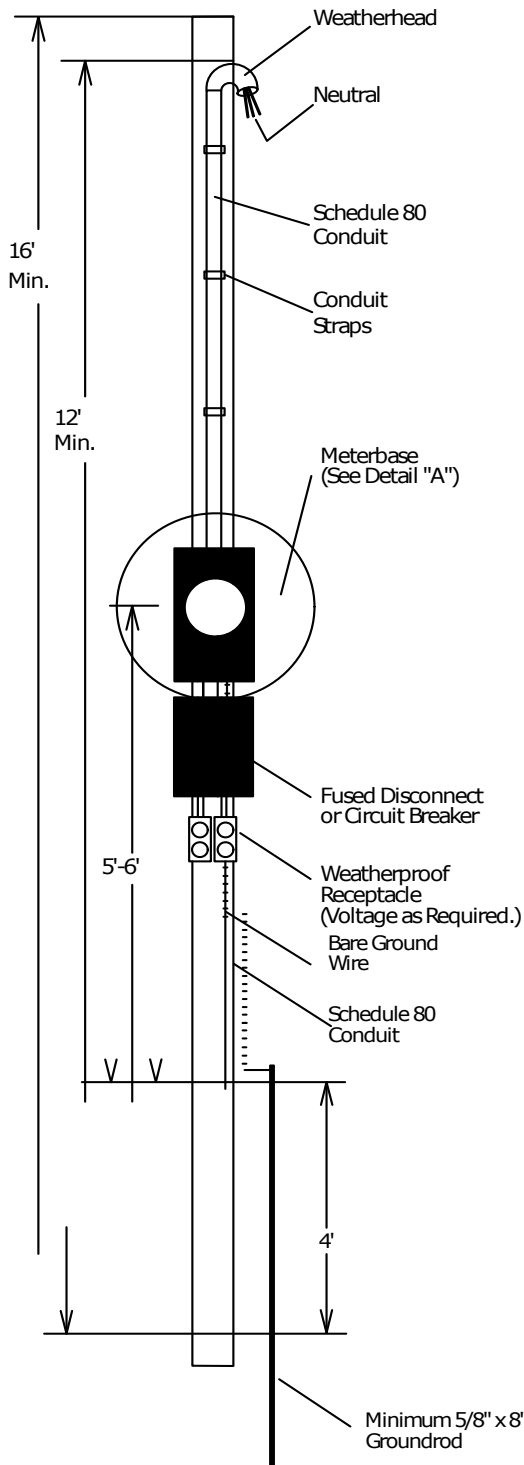
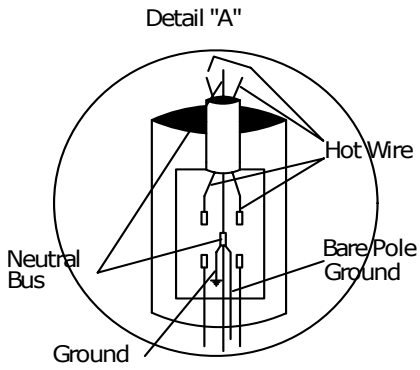


# Overhead Temporary Service Pole - (Not for Mobile Homes)



1. Poles MUST be treated 6" x 6" square or 6" diameter, top to bottom.
2. All Hardware must be rigidly attached to pole.
3. All boxes and fittings must be weatherproof.
4. Copper wire is required.
5. Thin-walled conduit WILL NOT be accepted on any part of the installation.
6. Conduit must be rigid metal or Schedule 80 gray electrical grade, PVC conduit.
7. Wire tails must be at least 18" long & weatherhead and pole must be 12' from ground. Neutral must be clearly marked.
8. 2/0 insulated copper is required for 200 amps and #2 insulated copper for 100 amp installations.
9. A fused disconnect or circuit breaker is required just beyond the meter.
10. Pole ground must be a minimum of #6 bare solid copper.
11. Ground rod must be a minimum of 5/8" x 8" and have the ground wire attached with a groundwire clamp.
12. Pole MUST be sufficiently braced to support Conductor Dead End Strain.



340 Hopson St. ~ 3970 White Oak Rd.  
 P.O. Box 188  
 Lyon, MS 38645      Tunica, MS 38676  
 (662)624-8321      (662)363-2931  
 www.coahomaepa.com

Drawn	DVB	Date	5/20/2015	Temporary Service Poles
Checked	FS	Scale	Not to Scale	
Approved	FS			NOT FOR MOBILE HOMES